

Packaging Machinery



Hurricane

Hurricane



Examples of products

Horizontal flow wrap packaging machine which produces closed wrappers with three sealed edges from a roll of heat-sealable wrapping material.

Packaging which is strong, attractive and perfect: the special design of the forming tunnel, the optimum calender and roller device for film transfer and the position of the various component units combine to give a machine which wraps the product perfectly and produces seals which are wrinkle free and positioned correctly.

High flexibility and quick format change: Hurricane can package a vast range of regularly shaped, solid products from the food, stationery, chemical and pharmaceutical sectors. It is not necessary to change any mechanical part in order to change the set-up, this is done by using two handwheels which carry out immediate adjustments to the length of the package and the speed of the sealing crimpers.



COMPANY
WITH QUALITY SYSTEM
CERTIFIED BY DNV
=ISO 9001/2000=

PFM S.p.A. (headquarters)
via Pasubio, 49
36036 Torrelbelvicino (VI) Italy



Optional:

- Date Printer.
- Photocell to register centre-printed wrapping material.
- Dual reel holder.
- Pre-heating of the first set of Fin Wheels: useful for speeds greater than 100 package/min.
- Two Up Sealing Crimper Jaws for use with smaller products and for higher speed.
- Shrink Version.

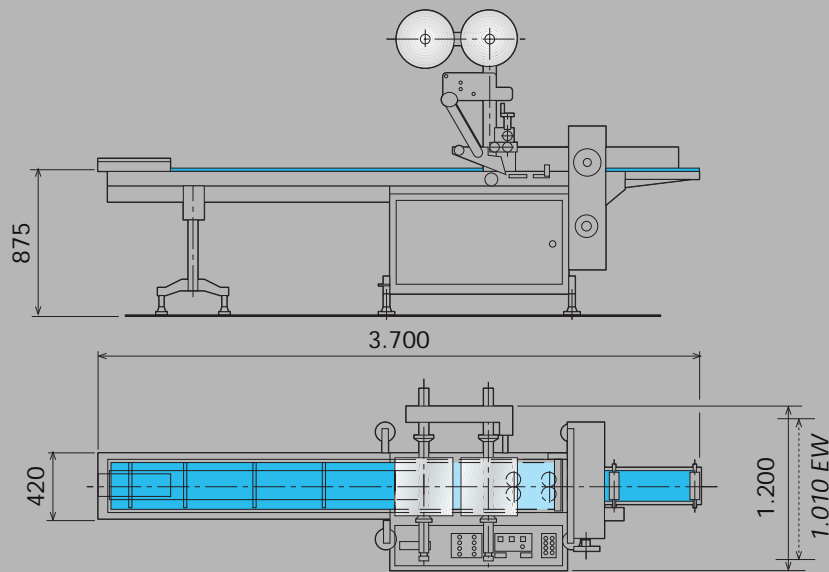
In addition, for the Electronic version:

- Driven by two brushless motors in electric axis for separate control of the longitudinal and transversal sealing units.
- Adjustment of the bag length by means of an alphanumeric keyboard.
- Automatic print centring in real time.

Technical Specifications:

- Conforms to EEC standards.
- 2M long in-feed belt with quick-release, interchangeable pushers.
- 2 hand wheels with numerical reference system for adjusting package length and crimper speed.
- Forming box with adjustable height and width for different sized products.
- 3 pairs of Fin Wheels.
- Self-centering reel holder with reel brake.
- 600mm long motorized discharge belt.





Hurricane

Technical Data:

	HURRICANE	HURRICANE EW
Pack length:	min 40, max 350 mm	min 40, max 350
Pack width:	min 5, max 220 mm	min 5, max 320 mm
Pack height:	up to 100 (standard version) 140 mm (special version)	up to 100 (standard version) 140 mm (special version)
Reel width:	max 500 mm	max 700 mm
Reel diameter:	max 350 mm	max 350 mm
Width of sealing crimper jaws:	250 mm	350 mm
N° of up sealing crimpers jaws:	1 - 2	1 - 2
Mechanical speed:	up to 100 cycles/min*	up to 100 cycles/min*
Versions:	mechanical	mechanical - electronic
Wrapping material:	PP (laminated or bonded), PE (Poly version) and shrink	PP (laminated or bonded), PE (Poly version) and shrink
Weight:	350 Kg	400 - 350 Kg
Power consumption:	3,5 Kw	3,5 - 5,5 Kw
Power supply:	380V 3phase + neutral + earth 50Hz	380V 3phase + neutral + earth 50Hz

* Depending on product size wrapping material and number of crimpers.

The technical specifications stated are merely indicative and may vary according to the type and dimensions of the product, output required and type of wrapping material used.

Data should always be confirmed by PFM's technical department.

The final technical specifications calculated according to the above mentioned variables are only given in the official offer.

PFM reserves the right to make modifications without prior notice.

PFM Group

Network of Packaging Solutions

www.pfm.it



PFM S.p.A.
PACKAGING MACHINERY

ITALIAN HEADQUARTERS
Via Pasubio, 49
36036 TORREBELVICINO
(VI) ITALY

Ph: (+39) 0445. 570.110
Fax: (+39) 0445. 570.175

www.pfm.it
pfm@pfm.it



PFM
PACKAGING MACHINERY LTD

PFM House, 2
Pilgrim Way, Stanningley
LEEDS - LS28 6LU
UNITED KINGDOM

Ph: +44 (0) 113. 23.93.401
Fax: +44 (0) 113.23.93.402

www.pfmuk.com
pfm@pfm-ltd.co.uk



PFM
PACKAGING MACHINERY
CORP. USA & CANADA

1271, Ringwell Ave.
NEWMARKET
ONTARIO CANADA L3Y
7V1.

Ph: (+1) 905. 836.6709
Fax: (+1) 905. 836.7763

www.pfmusa.com
info@pfmusa.com



PFM
PACKAGING MACHINERY
GERMANY

GewerbestraÙe, 31
D-21279 HOLLENSTEDT

Ph: (+49) 4165. 221.921
Fax: (+49) 4165. 221.922

www.pfmgermany.de
info@pfm-bgpack.de



OOO "PFM"

UL. SCELEPIKINSKAJA
NABEREZNAJA 4
KORPUS 1
123290 MOSCA

Ph: 007 095 2569774
Fax: 007 095 2569774

moscowpfm@yandex.ru



BG PACK S.p.A.
PFM PACKAGING GROUP

Via C. A. Dalla Chiesa, 13
24048 TREVIOLO (BG)
ITALY

Ph: (+39) 035. 20.31.22
Fax: (+39) 035. 20.31.25

bgpack@bgpack.it



MBP S.r.l.
WEIGHERS AND BAG
MAKERS

PFM PACKAGING GROUP
Via Toscanini, 48/B
46043 CASTIGLIONE
DELLE STIVIERE (MN)
ITALY

Ph: (+39) 0376. 638.479
Fax: (+39) 0376. 670.727

www.mbp.it
info@mbp.it



SPS S.p.A.
ITALIANA PACK SYSTEMS
PFM PACKAGING GROUP

Via Salvemini, 23
28012 CRESSA (NO)
ITALY

Ph: (+39) 0322. 861.100
Fax: (+39) 0322. 861.122

www.spspack.com
info@spspack.com